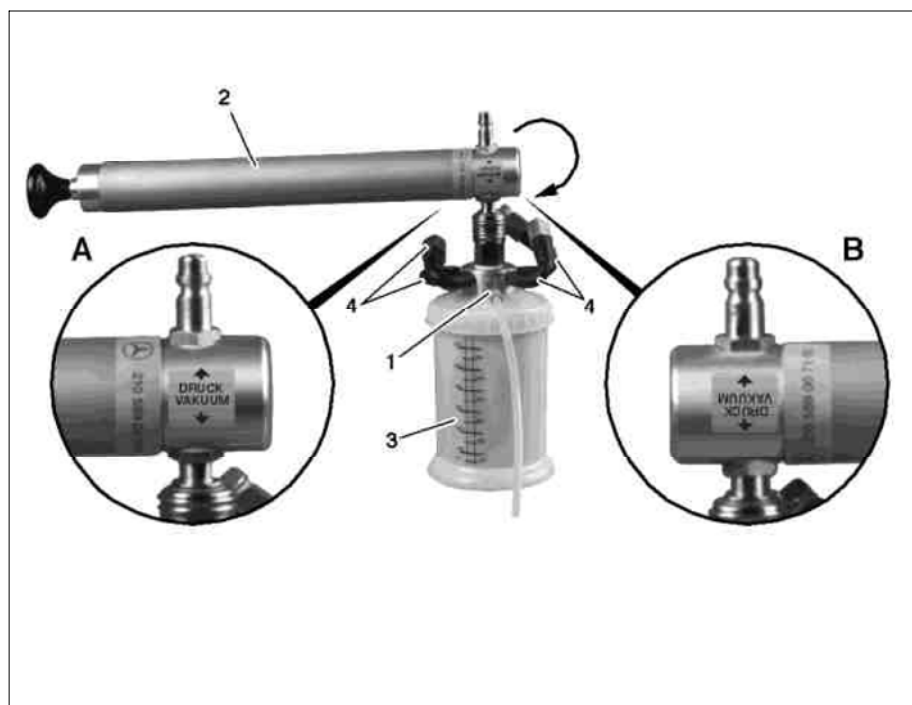


TRANSMISSION 722.6 17

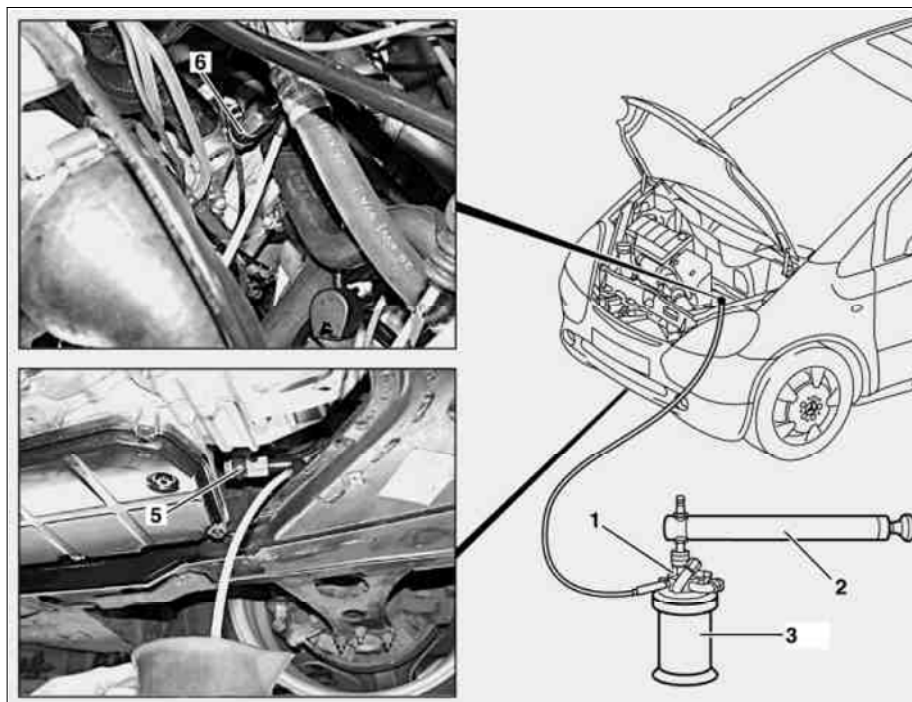
- 1 Pressure fitting
- 2 Pump
- 3 Reservoir
- 4 Connector
- A Connection direction for sucking out oil
- B Connection direction for rinsing



P27.55-0203-06

Shown on model 168

- 1 Pressure fitting
- 2 Pump
- 3 Reservoir
- 5 Transmission oil cooler oil feed line
- 6 Transmission oil cooler oil return line

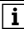


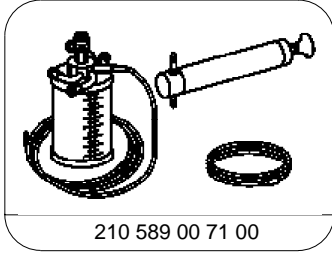
P27.55-2001-06

	Extracting oil		
1	Connect pump (2) to vacuum connection on reservoir (3)	i See: Fig. A	
2	Attach plastic hose to connection fitting (1) and push all the way down the oil filler pipe into the oil pan		
3	Actuate pump	i The extracted oil runs into the reservoir (3).	
	Flushing		
4	Connect pump (2) to pressure connection on reservoir (3)	i See: Fig. B	
5	Fill reservoir (3) with kerosene		
6	Attach plastic hose to connection fitting (1), screw onto one of the two oil cooler lines using the appropriate connection piece (4) and flush out with kerosene	i Ensure that the kerosene can flow through freely. Blow out oil cooler and oil cooler line thoroughly with compressed air.	

7

Connect the second plastic hose to the second oil cooler line and collect the escaping transmission fluid

 Secure the plastic hose on the connection fitting with a hose clamp if necessary.



210 589 00 71 00

Hand pump