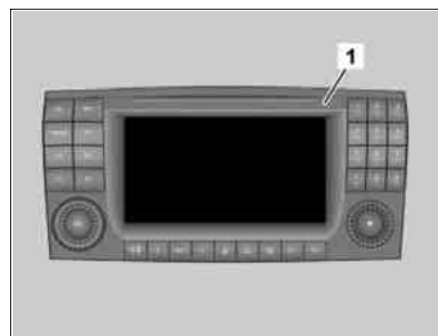


i The battery ground lead must be connected for initial startup.

- 1 Switch on ignition.
- 2 On the COMAND (1) system in the vehicle, start the TV function and select the AV1/AUX1 program.

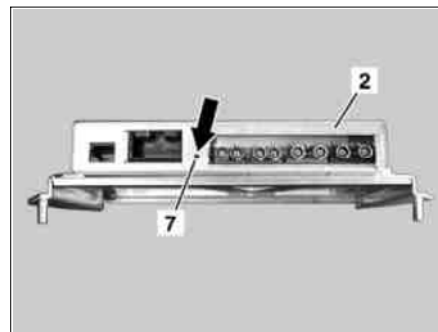
i After the AV1/AUX1 program is selected, the COMAND (1) system display must either show a black screen or a black screen with the message "No signal" on it. If the screen is blue, then check whether the black screen or a black screen with the message "No signal" is displayed when the AV2/AUX2 program is selected.

If a black screen or a black screen with the message "No signal" is displayed for the AV2/AUX2 program, this means that the connectors for the digital TV tuner are connected to the AV2/AUX2 input of the TV tuner and must be connected to the AV1/AUX1 input of the TV tuner instead. To operate the functions of the COMAND (1), refer to the system operating instructions.



P82.86-4682-01

- 3 Press teach-in button (7) on digital TV tuner (2).



P82.60-4203-01

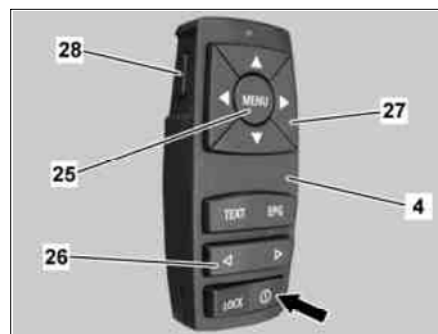
- 4 Install two size AAA batteries in the remote control (4) and unlock the remote control (4) (see arrow).

i Remote control (4) operation is described in the operating instructions for the digital TV tuner.

- 5 On the remote control (4), press the menu button (25) for 5 seconds.

- 6 On the remote control (4) press the menu button (25) again.

i The digital TV tuner main menu must appear on the screen. If the main menu does not appear, repeat the teach-in procedure in operations 1 to 6.



P82.60-4913-01

- 7 Press the buttons on the remote control (4) in the following order:
 - Left program selection button (26)
 - Right navigation button (27)
 - Left program selection button (26)
 - Return key (28)

i After entering the key sequence, the message "Set Configuration 1" appears on the screen. After a few seconds the "Configuration Menu" appears containing the following sub-items:

- Antennas
- RF modulator
- Phantom supply
- Color palettes
- Engineering data
- Set Teletext position

- 8 The settings under the following sub-items must be checked in the "Configuration Menu" and modified as follows if necessary:
 - Antennas: 1+2+3+4
 - RF modulator: off
 - Phantom supply: off
 - Color palettes: ColorSet 1

- 9 Exit "Configuration Menu" and check digital TV reception.

i Digital TV can only be received in areas with digital TV transmission.