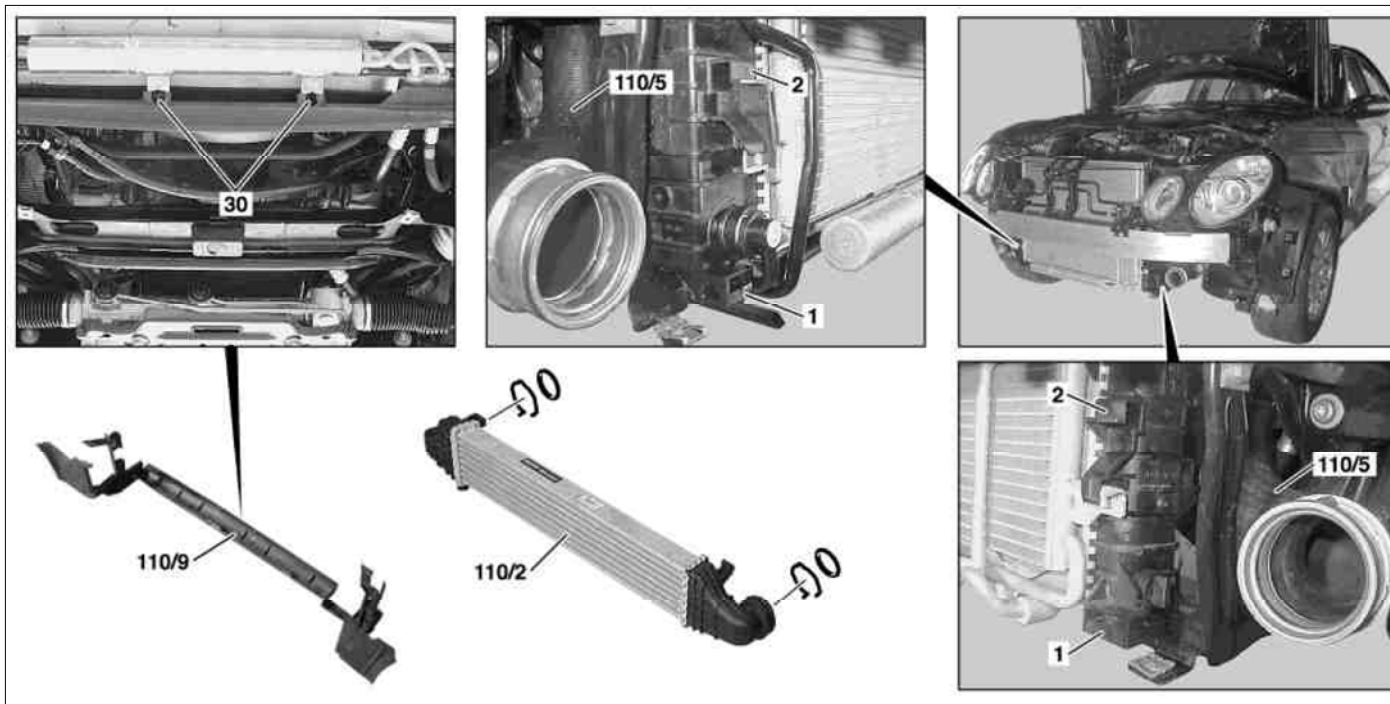


- ENGINE 646.951 in MODEL 211.004
- ENGINE 646.961 in MODELS 211.006 /206 /606
- ENGINE 647.961 in MODELS 211.016 /216 /616
- ENGINE 648.961 in MODELS 211.023 /026 /223 /226
- ENGINE 271.941 in MODELS 211.042 /242



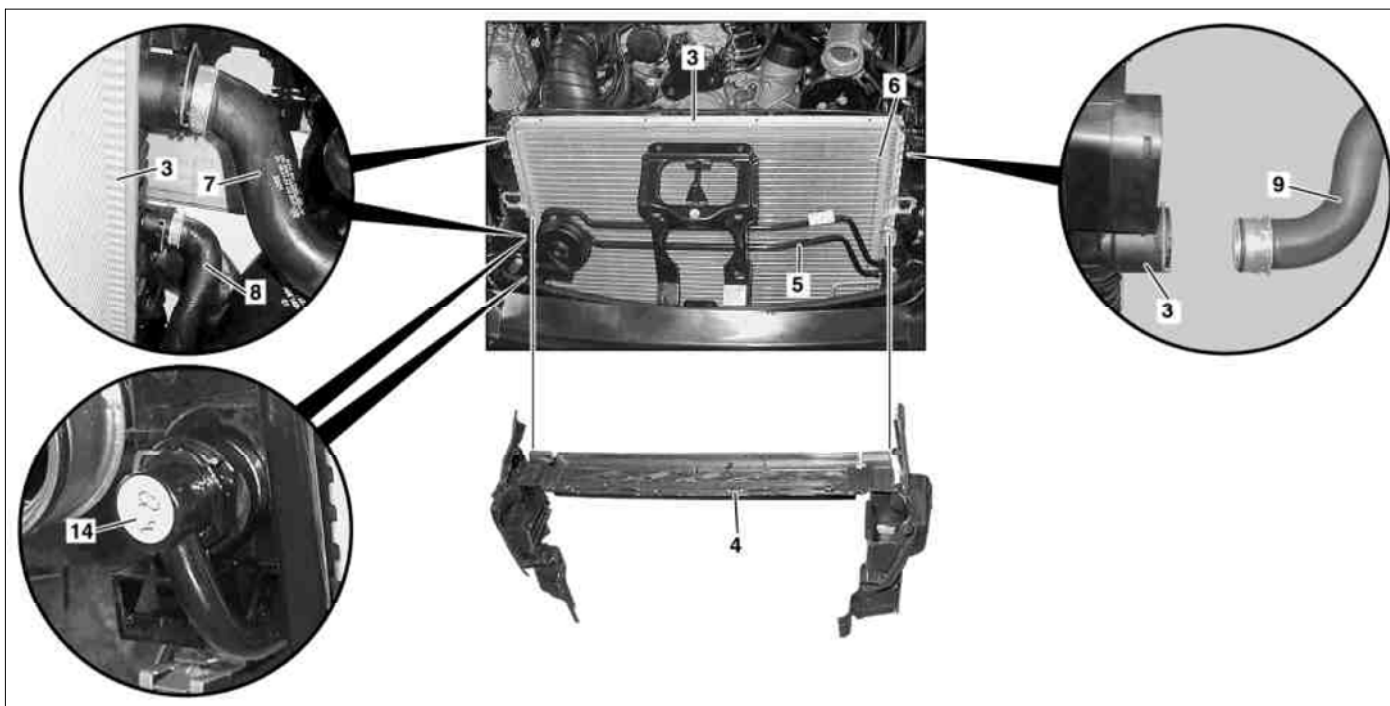
P09.41-2102-09

Shown on model 211.016

- 2 Upper mounts
- 30 Clip
- 110/2 Charge air cooler

- 110/5 Charge air hoses
- 110/9 Charge air cooling air ducting

1 Lower supports



P20.20-2126-09

Shown on model 211.016

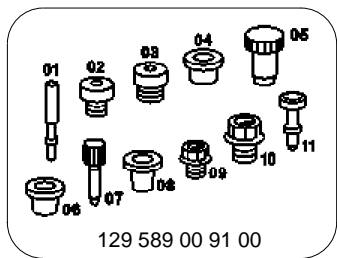
- 5 Power steering cooling loop
- 6 Capacitor
- 7 Coolant hose

- 8 Coolant hose
- 9 Coolant hose
- 14 Automatic oil line

3 Radiator  
4 Air ducting

☒ ☒	Remove/Install		
1.1	Remove front part of bottom part of noise encapsulation	Vehicles with diesel engines	AR94.30-P-5300T
1.2	Remove front part of bottom engine compartment paneling	Vehicles with gasoline engines	AR61.20-P-1105T

<p><b>⚠ Danger!</b></p> <p>2</p>	<p><b>Risk of injury</b> to skin and eyes from scalding with hot coolant which splashes out. <b>Risk of poisoning</b> from swallowing coolant.</p> <p>Drain coolant at radiator (3)</p>	<p>Do not open cooling system unless coolant temperature is below 90 °C. Open cap slowly and release the excess pressure. Do not pour coolant into beverage bottles. Wear protective gloves, protective clothing and eye protection.</p> <p>Engine 646, 647, 648 Engine 271</p>	<p>AS20.00-Z-0001-01A</p> <p>AR20.00-P-1142HB AR20.00-P-1142T</p>
3.1	Remove the intake air duct at the air cleaner	Engine 271	
4	Remove fan shroud		AR20.40-P-6800T
5	Remove air ducting (4) at the radiator (3)		
6	Unclip cooling loop (5) of power steering at radiator (3)		
7	Unclip capacitor (6) at radiator (3)		
8.1	Dismount automatic oil lines (14) at radiator (3)	<p>Vehicles with automatic transmission</p> <p><b>ⓘ</b> To prevent damage to the automatic transmission through impurities, immediately seal the automatic oil lines and connections with <b>🔧</b> plugs.</p> <p><b>ⓘ Installation:</b> Install new sealing rings. Ensure that the locking clamps are installed exactly. Check oil level:# Check the oil level in the automatic transmission and correct it if required.</p> <p><b>🔧</b> Set of plugs</p>	<p>AR27.00-P-0101A</p> <p>*129589009100</p>
9	Dismount charge air hoses (110/5) at charge air cooler (110/2), for this step unlatch securing clamps	<p><b>ⓘ</b> Oil traces and low oil quantities in the charge air hoses come from the crankcase ventilation and are permissible.</p> <p><b>ⓘ Installation:</b> Check sealing rings for damage. Ensure that the locking clamps are installed exactly.</p>	
10	Unclip charge air cooler (110/2) from the lower mounts (1)		
11	Take charge air cooler (110/2) with air ducting (110/9) out of the upper mounts (2)	<b>ⓘ</b> The charge air cooler remains in the bumper.	
12	Dismount coolant hoses (7,8, 9) at radiator (3)	<b>ⓘ</b> Installation: Inspect seals for damage and replace if required. Ensure that the locking clamps are installed exactly.	
13	Take out the radiator (3) in the upward direction		
14	Install in the reverse order		
<p><b>⚠ Danger!</b></p> <p>15</p>	<p><b>Risk of accident</b> caused by vehicle starting off by itself when engine is running. <b>Risk of injury</b> caused by contusions and burns while working in the engine during the starting procedure or when the engine is running</p> <p>Check the cooling system for leaks when the engine is running.</p>	<p>Secure vehicle to prevent it from starting on it own. Wear closed and snug-fitting work clothes. Do not grasp hot or rotating parts.</p> <p>Engine 271 Engine 646, 647, 648</p>	<p>AS00.00-Z-0005-01A</p> <p>AR20.00-P-1010P AR20.00-P-1010HA</p>



129 589 00 91 00

Set of plugs