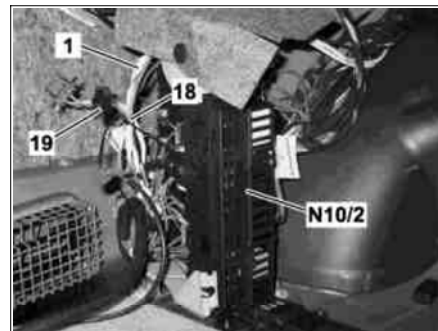


⚠ Danger of breaking! Do not kink optical waveguide, route over sharp edges or bend in radii smaller than 25 mm. Tensile forces on inserts must not exceed 65 N. Do not squeeze fiber optical cable and do not compress with clamps or tie straps.

Vehicles with COMAND preinstallation (Code U36)

- 1.1 Remove cable ties (18) of preinstalled, strapped down navigation processor wiring harness (1) and expose navigation processor wiring harness (1).
- 2.1 Wrap felt tape around preinstalled MOST wiring harness and MOST coupling housing (19) and then strap down to on-board wiring harnesses.

i The MOST wiring harness and MOST coupling housing (19) are no longer required.



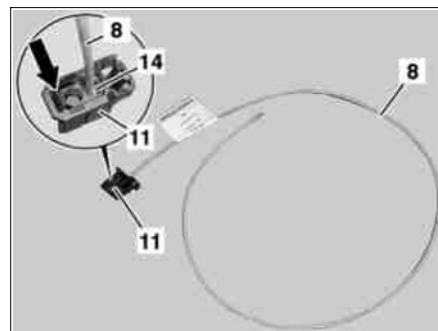
P82.86-4647-01

Shown on model 211.0

N10/2 Rear SAM control unit with fuse and relay module

All vehicles

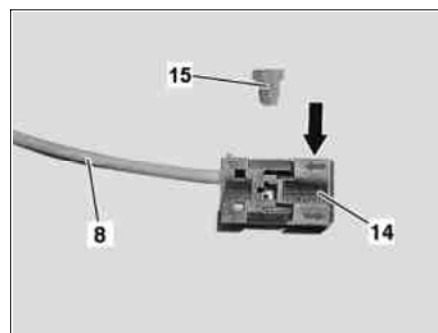
- 3 Press locking tab (arrow) of the MOST wiring harness ordered outward slightly and pull the black, 2-pin MOST connector (14) out of the MOST connector housing (11).



P82.64-2561-01

- 4 Unclip blue retaining clip (15) out of the black, 2-pin MOST connector (14).

i It must be ensured that the fiber optic cable module (8) is installed in chamber 2 (output) (see arrow). If this is not the case, install fiber optical cable module (8) from chamber 1 in chamber 2.

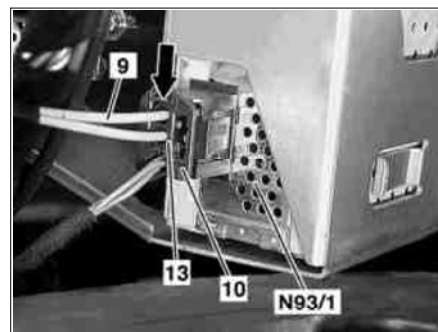


P82.86-4666-01

- 5 Disconnect MOST connector housing (10) from the audio gateway control unit (N93/1).

- 6 Press locking tab (arrow) outward slightly and pull black, 2-pin MOST connector (13) out of MOST connector housing (10).

Shown on model 220

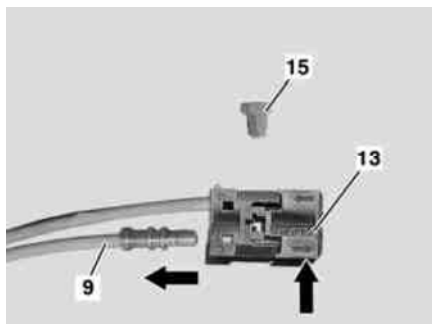


P82.85-9883-01

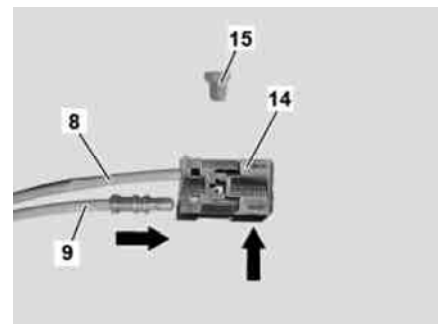
- 7 Unclip blue retaining clip (15) out of the black, 2-pin MOST connector (13).

- 8 Release locking tab and remove fiber optic cable module (9) from chamber 1 (input) of black, 2-pin MOST coupling (13) and install into chamber 1 (input) of black, 2-pin MOST coupling (14).

i MOST connector (14) is from MOST wiring harness ordered.



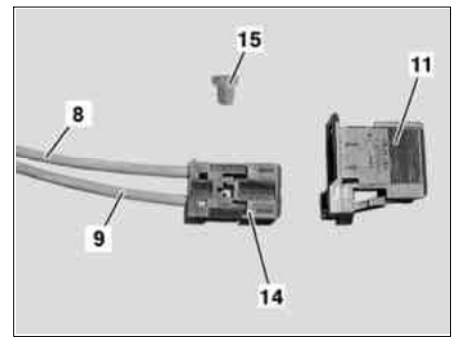
P82.86-4667-01



P82.86-4668-01

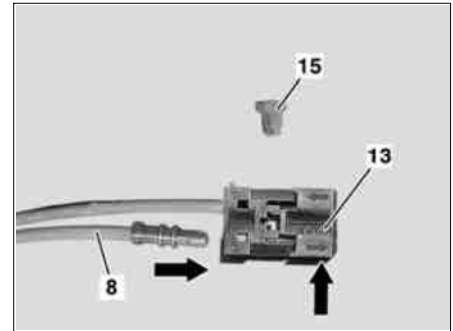
- 9 Install blue retaining clip (15) into the black, 2-pin MOST connector (14).
- 10 Clip black, 2-pin MOST connector (14) into MOST coupling housing (11).

i MOST connector (11) is later connected to the navigation processor.



P82.86-4669-01

- 11 Install free end of fiber optic cable module (8) into chamber (1) (output) of black, 2-pin MOST coupling (13).
- 12 Install blue retaining clip (15) into the black, 2-pin MOST connector (13).

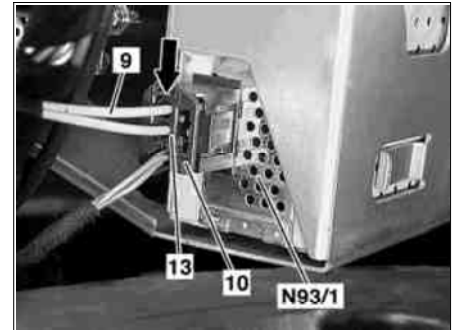


P82.86-4670-01

- 13 Clip black, 2-pin MOST coupling (13) into MOST connector housing (10) and connect to audio gateway control unit (N93/1).

i The MOST coupling housing (10) is connected later after installation of the navigation processor wiring harness on the audio gateway control unit (N93/1).

Shown on model 220



P82.85-9883-01

- 14 Route fiber optic cable along on-board lines and fasten in place using felt tape to ensure it does not chafe or make any noise.

i The fiber optic cable is fastened in place later after installation of the navigation processor.