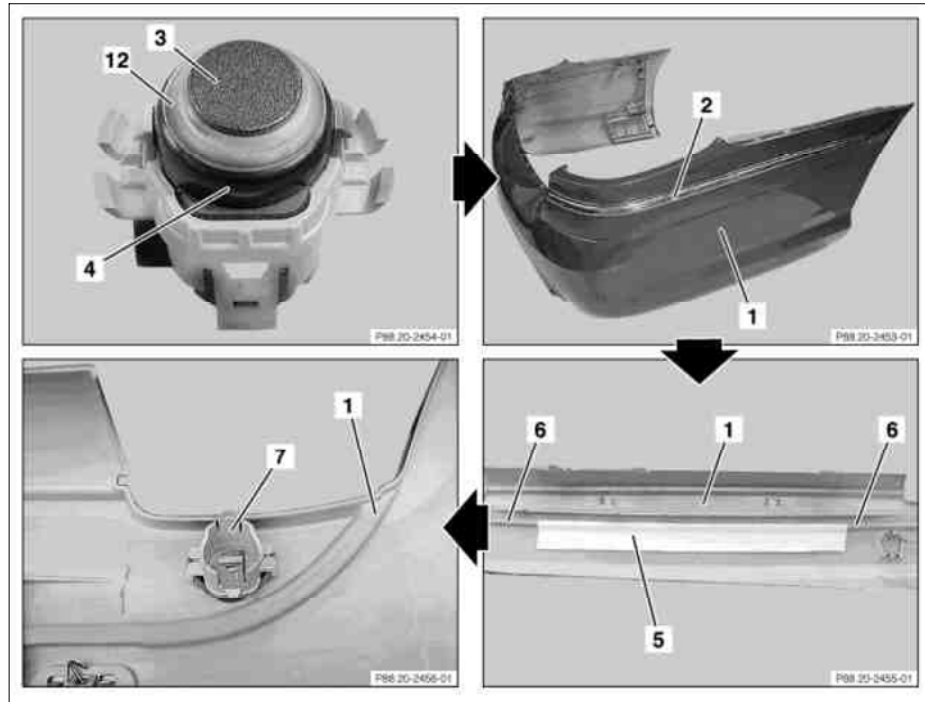


1 Install chrome-plated strips (2) in bumper (1) on left and right each (1)

2 Glue heavy foil (5) on in center on bumper (1) as shown in figure.

i Heavy foil (5) must be glued flush to stay (6) on bumper (1).

3 Clip four brackets (7) for Parktronic sensors (4) into bumper (1).



P88.20-2457-06

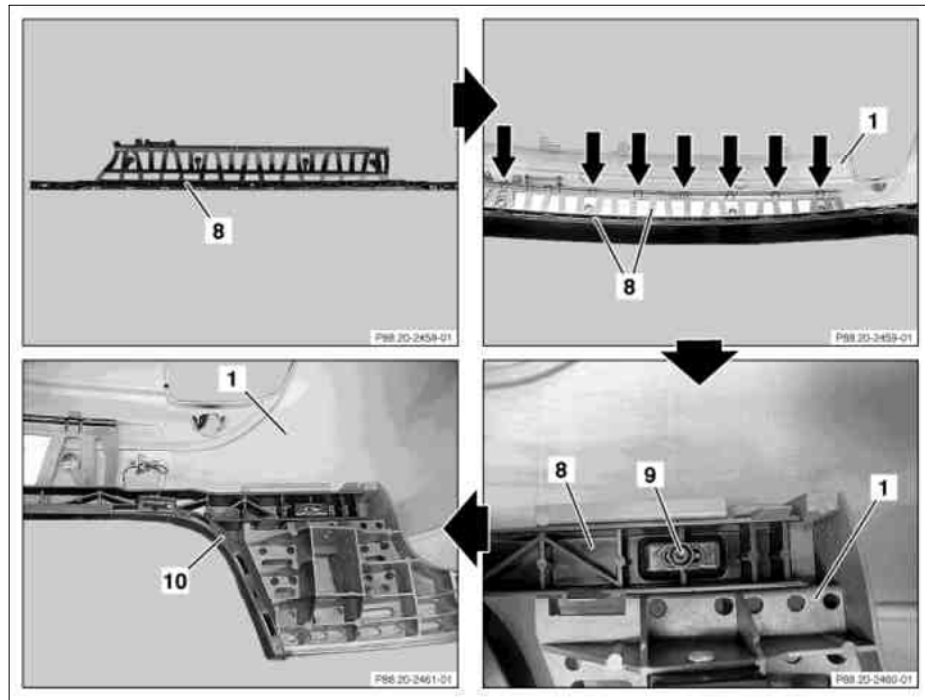
4 Install middle internal component (8) in bumper (1).

i Do not yet clip middle internal component (8) into retaining lug (see arrows).

5 Fasten middle internal component (8) in bumper on left and right with bolts (9)

6 Clip left/right internal component (10) into bumper (1) on left and right (1)

i Left/right internal component (10) is different for left and right side.



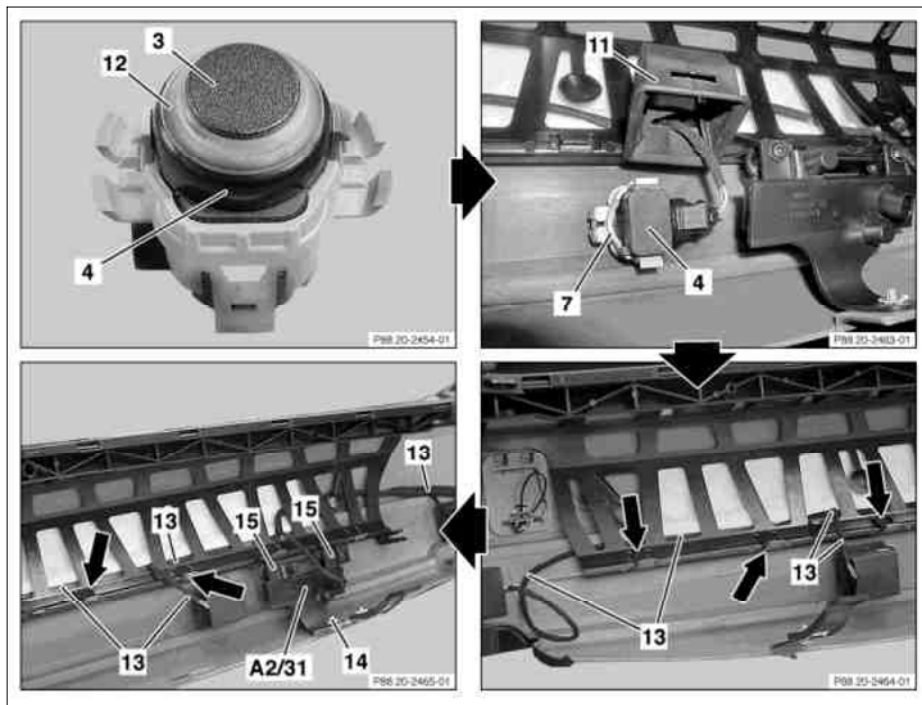
P88.20-2462-06

7.1 Vehicles with Parktronic system (PTS) Code 220a

- D Install decoupling rings (12) on Parktronic sensors (4)
- D Clip Parktronic sensors (4) into bracket (7)

i The electrical connections of the Parktronic sensors (4) should all point toward left.

- D Slide grommets (11) over electrical connectors for Parktronic sensors (4)
- D Connect electrical connectors for Parktronic sensors (4) and install grommet (11) above Parktronic sensors (4)
- D Route Parktronic system wiring harness 813 below internal component (8) and clip in internal component (8) (see arrows).



P88.20-2466-06

8.1 Vehicles without Parktronic system (PTS) Code 220a

- D Clip internal component (8) into bumper (1) (see arrows)

9.1 Vehicles with keyless go, code 889

- D Fasten rear bumper antenna (A2/31) on bumper with bolts (15) and aluminum rivet (14).
- D Connect electrical connector for wiring harness (13) to rear bumper antenna (A2/31).

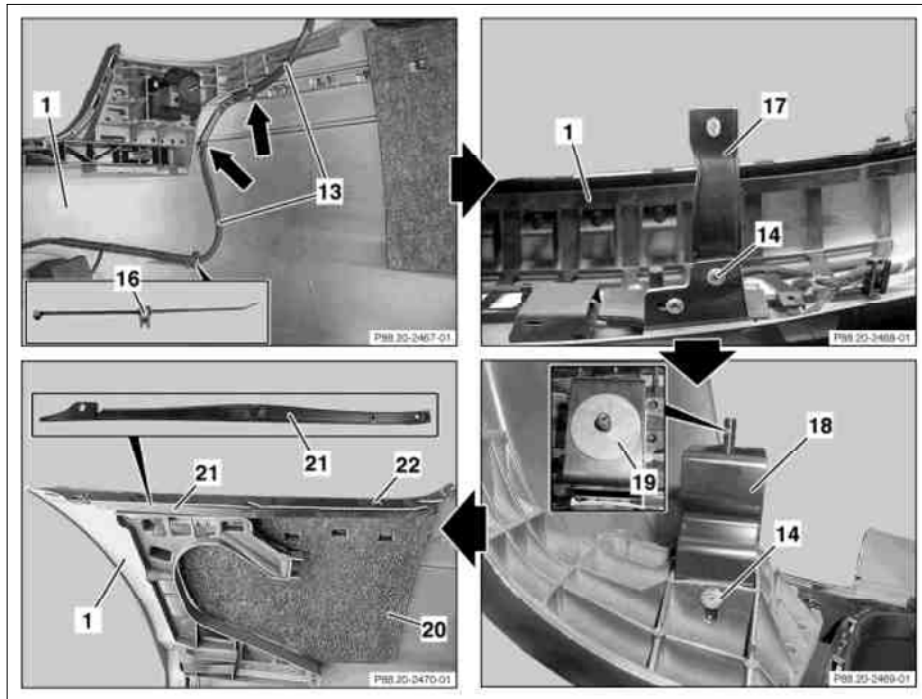
10.1 Vehicles with Parktronic system (PTS) code 220a and/or keyless go code 889

- D Fasten wiring harness (13) to bumper (1) with tie strap (15) (see magnified section).
- D Fasten wiring harness to bumper (1) with tie strap (arrows).
- 11 Fasten bracket (17, 18) to bumper (1) on left and right with aluminum rivet (14)

i Ensure that sealing washer (19) is installed on bracket (18).

- 12 Glue intermediate layers (20) onto bumper (1) on left and right

i Intermediate layers (20) are different for left and right side.



P88.20-2471-06

- 13 Fasten guide rails (21) to bumper (1) on left and right each with plastic rivet (22)

i Guide rails (21) are different for left and right side.

14 Clean contact surface for paneling (23) on bumper (1).

i The area to be glued on the bumper (1) must be free of dust and grease. For cleaning, use mixture of IPA (Isopropanol alcohol) and water with a ratio of 50 : 50.

15 Position paneling (23) in center of end pipe cutouts, glue into recess and **firmly press on** over full surface.

