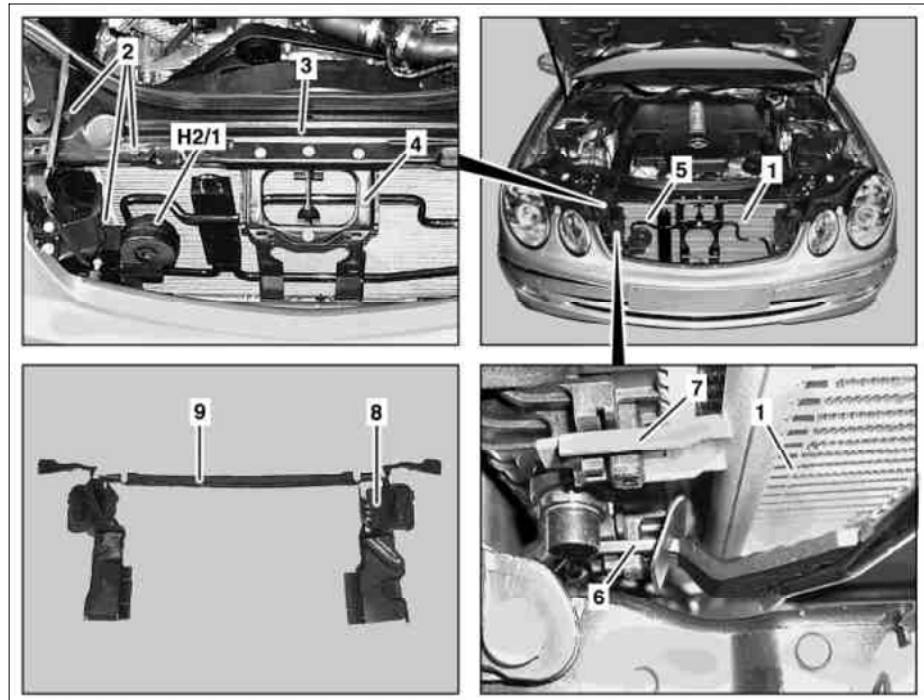


MODEL 211.0/ 2/ 6

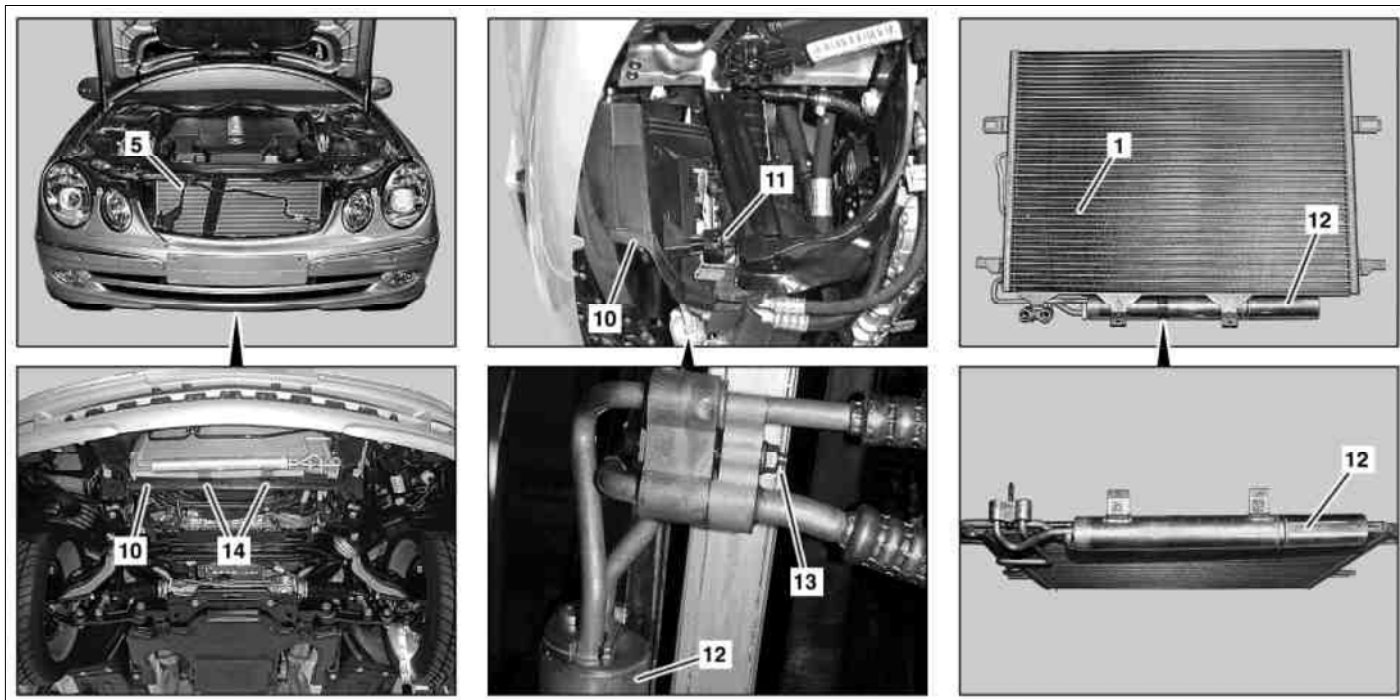
Illustrated on model 211.070

- 1 Capacitor
- 2 Expanding rivets
- 3 Front end crossmember
- 4 Strut
- 5 Oil line
- 6 Bracket
- 7 Bracket
- 8 Intake connection
- 9 Upper air ducting

H2/1 Right fanfare horn



P83.30-3612-06



P83.30-3613-09

Illustrated on model 211.070

- 1 Capacitor
- 11 Latching hook
- 13 Nut
- 5 Oil line
- 12 Fluid reservoir
- 14 Expanding rivets
- 10 Lower air ducting

☒ ☒	Remove/Install		
⚠ Danger!	Risk of explosion caused by welding or soldering work on closed air conditioning system. Risk of poisoning caused by inhaling overheated refrigerant vapors. Risk of injury to skin and eyes caused by contact with liquid refrigerant.	Never perform welding work on or near a closed air conditioning system. No smoking or open flames. Wear safety glasses and protective gloves. Work only in well ventilated areas. Carry out repair work on the air conditioning system circuit only after the system has been discharged.	AS83.00-Z-0001-01A
ⓘ	Conduct if air conditioning system is damaged or leaking		AH83.30-N-0004-01A
ⓘ	Protect air conditioning circuit and components from moisture when carrying out repair work		AH83.30-N-0005-01A

	Notes on handling refrigerant R134a		AH83.30-N-0003-01A
1	Drain air conditioning (recycle)	Note suctioned off compressor oil quantity. Air conditioning evacuation, recycling and charging unit for R134a refrigerant Installation: If an incorrect compressor oil quantity is used, then the refrigerant compressor may be damaged. Installation: Evacuate and air conditioning system, and when filling add the noted quantity of new compressor oil to refrigerant circuit. Check air conditioning system for leaks.	*WH58.30-Z-1003-16A
2	Remove right-hand fanfare horn (H2/1)		AR54.35-P-1555T
3.1	Remove intercooler	Models 211.004/006/016/026/023/028/ 206/216/223/226/606/616 Models 211.004/006/023/026/206/223/ 226/606 Type 211.016/216/616	AR09.41-P-6817T AR09.41-P-6817TB
4	Undo mounting screws for the brace (4), press top of air guide (9) downwards and remove brace (4)	Installation: Do not jam the engine hood cable between the brace (4) and radiator crossmember (3), as otherwise the engine hood cable may be damaged.	
5	Remove expansion rivets (2) on the left and right side guide from top of the air ducting (9) with the intake connector (8)		
6	Unclip holders (6) for oil line (5) from latching hooks at left and right sides of radiator	Carefully unclip bracket (6) because latching hooks can break off.	
7	Put down oil line (5) with oil cooler to front		
8	Unclip condenser (1) bracket (7) from latching hooks at left and right sides of radiator and tilt condenser (1) forward	Carefully unclip bracket (7) because latching hooks can break off.	
9.1	Remove bottom engine compartment panel at front	Models 211.042/043/056/061/065/070/ 076/080/082/083/242/243/256/261/ 265/270/276/280/282/283 Models 211.042/043/061/065/070/076/ 080/082/083/242/243/261/265/270/ 276/280/282/283	AR61.20-P-1105T
9.2	Remove bottom part of noise encapsulation at the front.	Models 211.004/006/016/023/026/028/ 206/216/223/226/606/616	AR94.30-P-5300T
10	Remove expansion rivets (14) from lower air ducting (10)		
11	Unclip latching hooks (11) on left and right sides of radiator and lead out the lower air ducting (10)	Note installation position of lower air ducting (10).	
12	Unscrew nut (13) and place refrigerant lines to one side	Seal line openings, otherwise dirt and moisture may penetrate. Set of plugs for air conditioning system Installation: Install new sealing rings and moisten thread with compressor oil. 	*WH58.30-Z-1004-27A *BA83.30-P-1011-01A
13	Guide condenser (1) downward out of guides on radiator and remove	Additional oil filling capacity when replacing the condenser.	*BF83.55-P-1003-01A
14	Replace fluid reservoir (12)		AR83.30-P-6520T
15	Install in the reverse order		

Air conditioning system

Number	Designation	Model 211
BA83.30-P-1011-01A	Pressure and hot gas line to capacitor	Nm 8

Refrigerant compressor

Number	Designation	Refrigerant compressor 7SEU16C in Model 211

BF83.55-P-1003-01A	Additional oil filling capacity when replacing condenser	Compressor oil	cm ³	30
		Specifications for Operating Fluids	Sheet	BB00.40-P-0362-00A

Commercially available tools (see Workshop Equipment Manual)

Number	Designation	Make (e. g.)	Order number
WH58.30-Z-1003-16A	Air conditioning draining, evacuating and filling equipment for refrigerant R134a	Behr GmbH u. Co. KG D-70469 Stuttgart	36.113.00.002 SECUMat 134a
WH58.30-Z-1004-27A	Set of plugs for air conditioning system	-	140 830 01 27